

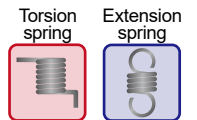
TM-8A

MEC 11-AXIS CNC TORSION SPRING MACHINE with Rotating Tool Table

For wire diameters of $\varnothing 0.2 \sim \varnothing 0.8$ mm

Precision processing with a tool table rotation mechanism that is optimal for fine wire.

Equipped with the latest spring forming program MNO2, the TM-8A has evolved into the ultimate torsion forming machine for fine wire.



Features

Improved processing quality with rotating tooling table mechanism

- Equipped with 11 standard axes for feed, table rotation, 8 slides, and quill rotation.
- The tool table, equipped with eight slides, rotates at high speeds around the quill.
- The slides can be set to any angle of 360° to the wire, making it easy to set and adjust the shape. Slides are also equipped with an automatic correction function that prevents the slide from moving back and forth when the tool table is rotated at the forming position.
- Switching to a square quill allows for processing products with long twirls.

Main options

- RR servo slide: spinner processing, max 3 pcs
- Servo body slide unit: servo powered diameter adjustment
- Reverse bending slide unit: allows bending toward the operator
- 10 mm raising unit: widens the twirling spaced
- Slip sensor: detects wire feed slip

Support for IOT

The operating status of machine can be monitored through mobile phones or computers, and regular maintenance with preventive maintenance functions can contribute to improved production efficiency.

Improved operability with the MNO2 (MEC New Operation 2) programming software

- The **MEC** original spring program **MNO2** easily organizes important statistics about the machine, including program flow, operating status of each axis, inputs/outputs, jump, etc., as with our other spring machines.
- The program editing function has greatly evolved, and the navigation system function and touch screen make it easier to create programs and shorten the setup time.
- The servo motor control enables high resolution and precise operation.
- The motor sensor system makes every slide a sensor. It is possible to measure the presence/absence judgment with a touch sensor, coiling angle, free length, etc. in 0.001 mm units. The measurement results are displayed in tables and graphs, and easy correction control for each axis is possible.
- Both torsion and coiling machines have the same programs, whose goal is convenience for the operator.
- Highly efficient production is supported by a versatile production management and data collection functions.



Tool table without blind spots

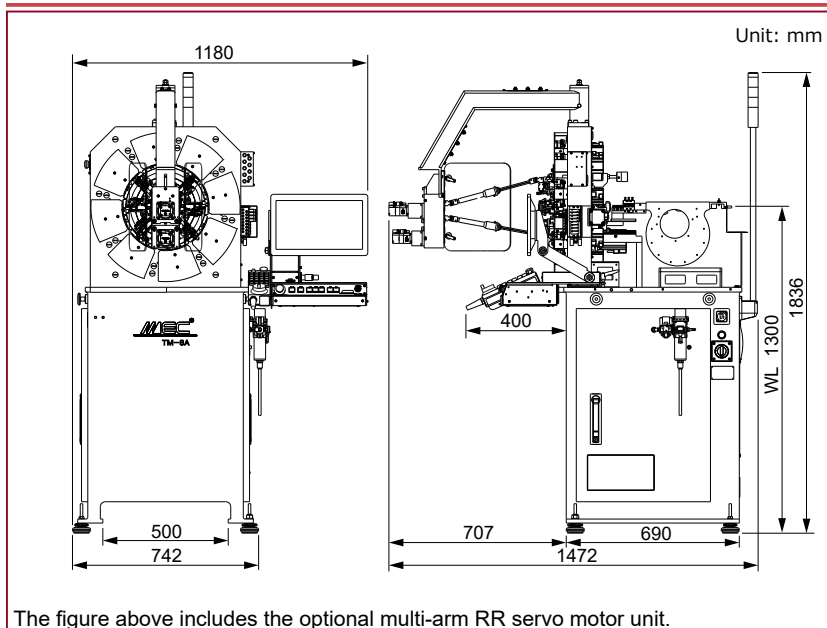
Wire forming is possible from any angle of 360°.



MNO2 main program and production management screen

Greatly improved operability with the touch screen

Specifications



Specifications are subject to change without notice for product improvement.

Machine name	TM-8A
Wire diameter	ø0.2 ~ ø0.8 mm
Max Twirl distance (Using square quill)	36 mm
Index	D/d 4 or more
Body slide	1 unit
Bending slide	3 units
Cut slide	4 units
RR servo slide	3 units (Optional)
Max air pressure	0.5 MPa
Power source	3-phase, AC 200V, 15A
Net weight	480 kg
Control device	Windows
Software	MNO2
Display	15.6" Full HD touch screen
External memory	USB Thumb drive
Temperature	5 ~ 40°C

